



MGI

Digital Technology

METEOR Unlimited Colors

Inline Digital Hot Foiling Solution with Meteor XL+

Boost your Business with 100% Digital Metallic Colors

NEW



Innovation in Motion

Focus on ...



Based on the original MGI iFOIL award-winning technology, the iFOIL T is a breakthrough innovative digital toner foiling solution for the postpress print enhancement market. MGI Meteor digital presses can be fully integrated with the iFOIL T module to create a Meteor Unlimited Colors® inline printing & foiling solution. Print Service Providers (PSPs) are now able to produce output with a virtually unlimited number of colors via the blending of CMYK toner and the reflective qualities of foil film – including a rainbow spectrum of hues with metallic, glitter and holographic effects.

The Meteor Unlimited Colors system uses a 100% digital production process. This unique integrated printing press & postpress foiling system eliminates the cost & need for die-making, screens and traditional makeready setup times and waste. A wide variety of standard market foils – and colors, patterns and designs - can be used to create brilliant (and highly profitable) special effects in a single pass. Since MGI does not impose click charges on Meteor presses, multiple passes can be cost-effectively used to create truly remarkable toner-over-foil blends of color and light on a diverse range of substrates – including uncoated & coated paper, laminated surfaces, plastics and many other synthetic materials. The system can use up to 2 different foils in a single pass.

iFOIL T

iFOIL T module connects in-line with the Meteor XL+, allows you to generate high added value printing,

The final printed job will be delivered with outstanding metallic tones combined with 4 colors overprinted colors.

Printing system

Hi-def toner.

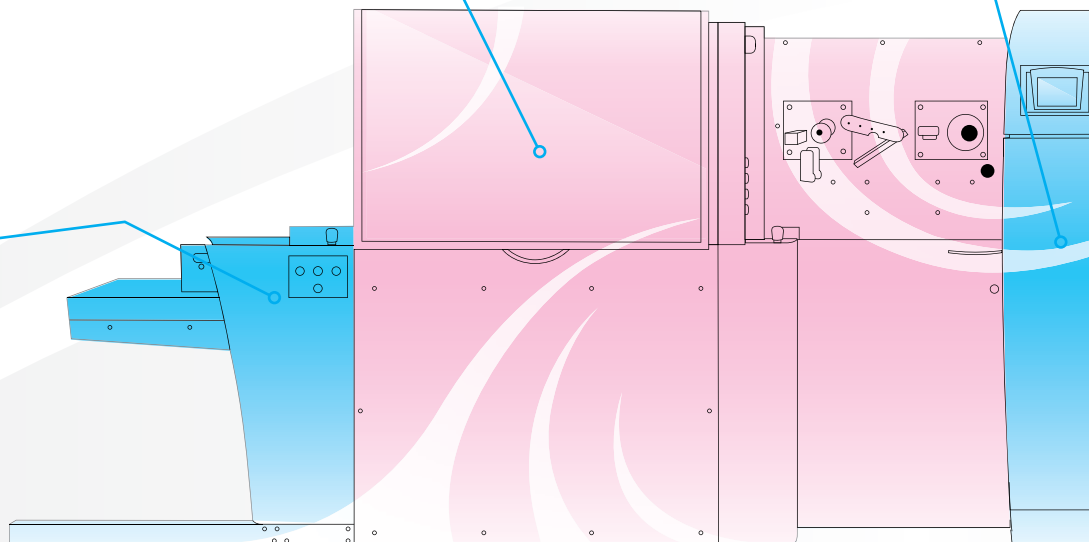
Dry, silicone free toner - Smaller particles

Higher color consistency - **Eco-friendly formula** - Long life toner

Ability to swap on-the-fly without interrupting production,

High capacity stacker

High volume laser guided stacker for output. Stack up to 6,000 sheets of paper or 60 cm/23" depth.



... Unlimited Colors !

The iFOIL T module connects inline with MGI Meteor Presses. This digital enhancement options allows printers to generate lucrative, high-margin output, expand their service portfolios and strengthen their client relationships.

First Pass Toner Foiling

Printing jobs can be embellished with the original foil color via a fusion of toner & foil adhesion to the substrate surface. Application examples include: logos, shapes, text, lines and highlights. The ability to add gold & silver to digitally printed output dramatically increases the value of the material to the customer.

Second Pass Toner

With no click charges involved, printers can also overprint the foil applied during the first pass with another application of CMYK toner to create a limitless kaleidoscope of tints & hues – as well as precise spot coats to match colors generated from other environments. The light-reflecting qualities of gold & silver foil provide a powerful foundation for expanding the gamut of effects to a virtually unlimited color range.

Foil over foil and Authentication Hologram Digital Printing® (AHDP) System

AHDP®, a MGI exclusive and patent system, produces on-demand a imprints with Meteor Unlimited Colors presses, specially-formulated toner and foil films. The digital holographic effects offer customized security authentication options at a mere fraction of traditional costs. This powerful anti-counterfeiting method is now economically accessible without the need of expensive dies and lengthy tooling processes. AHDP also works in conjunction with variable data printing (VDP) to create unique document identification applications.

Registration

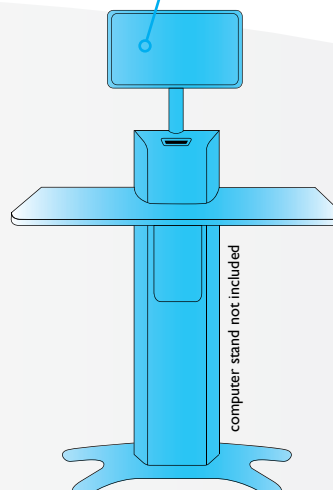
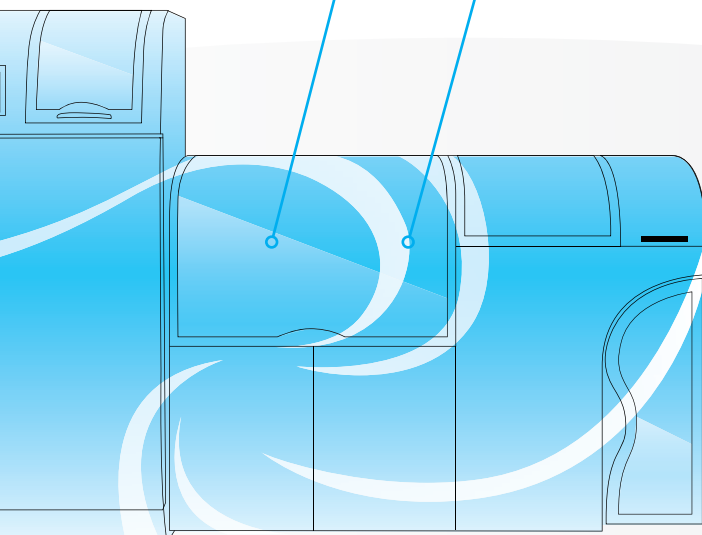
Automated Skew and Centering Adjustment (ASCA) system for on-the-fly registration.

Formats from 100 x 148 mm up to 330 x 1,200 mm/47"

High capacity pneumatic feeder
Friction free suction feeding,
Capacity of 3,000 sheets or
30 cm/12" deep.
Feed up to 1,200 mm/47".

Foil manager software suite

Meteor Manager is a powerful supervision software platform. Within a single tool, it gives access to the operator to the entire parameter to manage and setup the production from 4-color printing through hot foil finishing. All the parameters can be also stored for further reprinting which saves you time and improves your efficiency.





Technical Specifications

Meteor XL+ 4-Color printing

Color Print Speed

Up to 71⁽¹⁾ A4 sheets per minute.

Print Quality and Line Screens

Print resolution up to 3,600 dpi and line screens ranging from 130 to 270 lpi.

Printable Formats

- **Min:** 100x148 mm - 3.9 x 5.8"
- **Max:** 330x1,200 mm - 13 x 47" with option⁽²⁾

Supported Substrate Thicknesses

- **Paper** from 65 to 400 gsm (coated and uncoated);
- **Plastic** from 100 to 450 µm (PVC, Teslin, Vinyl).
- **Envelope** from 100 to 400 µm with/without window.

Paper Input

- 2 trays
1,500 sheets total capacity (500 + 1,000 sheets)
- Bypass
250 sheets capacity from 65 up to 300 gsm
- Integrated Pneumatic Loader
3,000 sheets maximum capacity

Registration

Precise registration with exclusive Automated Skew and Centering Adjustment (ASCA) system. Comparable to offset, applies to all printed works (front-back, page-page at ±0.5 mm).

Feeder Table

Feeder table with fully motorized and automatic side lay guide. Auto-adjusts for format width and paper skew. Ultrasonic double sheet detection system.

Paper Output

High pile motorized stacker for hosting up to 60 cm of paper height.

External Fiery FS 100 Pro Controller

Personalization and Variable Data Printing

100% compatible with market standard software solutions (Adobe InDesign, Bartender, Newleaf...).

Electrical Specifications

Feeder: 1 x (230V / IP + N + E / 32 A)
 Printer: 1 x (230V / IP + N + E / 32 A)
 iFOIL T: 2 x (230V / IP + N + E / 32 A)
 1 x (230V / IP + N + E / 16 A)
 Stacker: 1 x (230V / IP + N + E / 16 A)
 Computer & Rip: 3 x (230V / IP + N + E / 16 A)

⁽¹⁾ without calibration and stabilization

⁽²⁾ max. paper weight 250gsm

Operating Environment

- Required temperatures: 18° to 30°C (59°F to 86°F)
Optimum between: 20° to 22°C (64° to 73°F)
- Operating Humidity: 30% to 50% RH
Optimal condition: 40%

iFOIL T Module

Digital Hot Foiling Station

Supported Thicknesses with foil without toner overprinting

- **Min.** 80 gsm equals to 80 µm prior to printing and possible lamination.
- **Max.** 350 gsm equals to 350 µm prior to printing and possible lamination.

Supported Thicknesses with foil and toner overprinting

- **Min.** 150 gsm equals to 150 µm prior to printing and possible lamination.
- **Max.** 350 gsm equals to 350 µm prior to printing and possible lamination.

Printing speed

Up to 50⁽¹⁾ A4 sheets per minute

Paper Formats

- **Min:** 110x220 mm
- **Max:** 330x1,200 mm

Substrats

The Hot Foil process is compatible with most the of substrates supported by the Meteor Digital Press (non-coated or coated paper, textured paper, envelops, PVC, Teslin, etc.).

Hot Foils

Utilizes standard hot foils available on the market. Integrated foil consumption system. Popular foil colors are supported such as, gold, silver, blue, red, green & black.

Rolls

Hot foil are delivered on rolls. Standard roll is 320 mm width and 400 meter long, using an one inch core. Possibility to use smaller widths such as 100 mm and add them up on the same axis for laying up to 2 simultaneous colors. Option: 3 inch core automatic unwinding.

Foil manager software suite

Meteor Manager is a powerful supervision software platform. Within a single tool, it gives access to the operator to the entire parameter to manage and setup the production from 4-color printing through hot foil finishing. All the parameters can be also stored for further reprinting which saves you time and improves your efficiency.

Dimensions & Weight

LxVxH: 6,73x1,40x1,81 meters / 264x55x71"
1,690 kg / 3,726 lbs

⁽¹⁾ print speed may vary according to the substrate and print parameter used

⁽²⁾ please contact with MGI to check your substrats/toner/foils compatibility

⁽³⁾ duplex technical limitation. Please contact us.



Europe/Middle-East/Africa/Russia
 4, rue de la Méridienne
 94260 Fresnes - FRANCE
 Tel: +33 (0)1 45 21 06 60
 Fax: +33 (0)1 46 68 71 55
 info@mgi-fr.com
 www.mgi-fr.com

@MGI_HQ
 @MGI_USA



facebook.com/MGIonline



This is not a contractual document and technical specifications subject to change without notice.
 Operator / end-users are invited to submit substrates and foils to MGI for validation.
 All the other trademarks cited are marks registered by their respective manufacturers.



America/Caribbean/Asia Pacific
 3143 Skyway Circle
 Melbourne, FL 32934 - USA
 Tel: +1 321 751 6755
 Fax: +1 321 751 6777
 info@mgi-usa.com
 www.mgi-usa.com