

The G-WASH 150 sets new standards in the field of rotation cylinder cleaning



**G-WASH 150**

**Grünig**

Grünig-Interscreen AG  
Ringgenmatt 14  
CH-3150 Schwarzenburg  
Switzerland

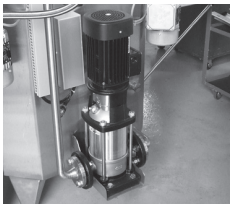
Phone +41 31 734 2600  
Fax +41 31 734 2601  
[www.grunig.ch](http://www.grunig.ch)  
[mail@grunig.ch](mailto:mail@grunig.ch)

# G-WASH 150

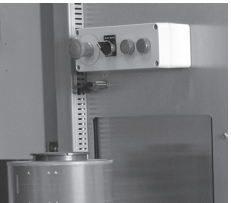
## In-line washing system for rotation cylinders



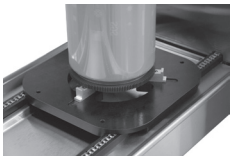
Washing chamber



Washing pump



Easy operation



Transport chain with adjustable cylinder platform

### The main features at a glance

- Through-put washing system for rotation cylinders
- Automatic cylinder feeding
- Stable cylinder platform for a safe transport of the rotation cylinders
- Pre-washing and rinsing in separate chambers
- Programmable washing time
- Powerful washing pump
- Special Grünig nozzles for maximum ease of maintenance and reliable performance
- Integrated blower system
- Integrated exhaust air system
- Rugged construction of stainless steel V2A
- Very low-maintenance and user-friendly

### Execution

- The machine consists of a pre-washing and a rinsing module for eliminating the printing ink, as well as of a transport system for the rotation cylinders.
- Up to four rotation cylinders of various sizes can be placed on the loading station from where they are automatically taken through the washing process.
- Once the washing process is completed, the cylinders can be removed from the unloading station.
- Each washing module is equipped with a 200 liter recirculation tank with prepared connections for external filtering systems.
- The machine has been designed for solvents with a flashing point of >55°C.
- In order to minimize the loss of washing product, the inside and outside of the rotation cylinders is exposed to a flow of compressed air at the end of the washing process
- The integrated exhaust air system minimizes the aerosol output into the work environment.

### Option W

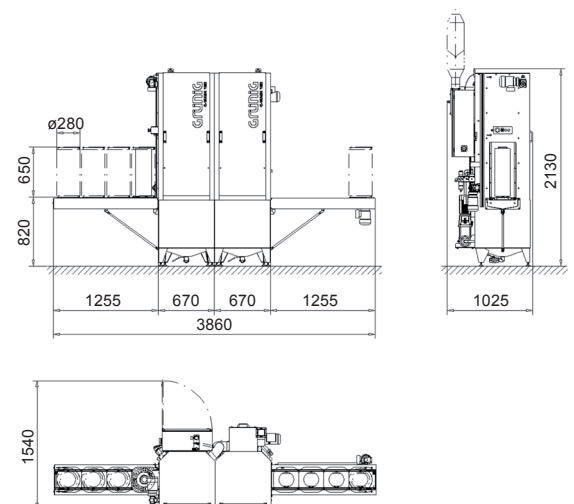
- Bottom trough of stainless steel V2A.

### Option V3A

- Activated carbon filter for the exhaust air system.



Cylinder format	External diameter	mm	max. 280
	Length	mm	max. 650
	Internal diameter	mm	min. 60
Size	Length	mm	3860
	Width	mm	1025 / 1540
	Height	mm	2370
Power supply	Voltage	V	3x400+N+PE
	Frequency	Hz	50
Compressed air	Pressure	Bar	6
	Consumption	m <sup>3</sup> /h	90



The installation answers the requirements of the EU machinery guidelines (EC conformity)

Technical changes are reserved

February 2018

All the measurements in mm