

The G-COAT 404 is an automatic coating machine that offers you the advantages of the latest Plug & Coat technology



G-COAT 404

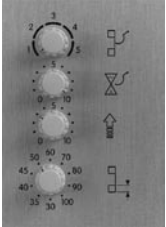
Grünig

Grünig-Interscreen AG
Ringgenmatt 14
CH-3150 Schwarzenburg
Switzerland

Phone +41 31 734 2600
Fax +41 31 734 2601
www.grunig.ch
mail@grunig.ch

G-COAT 404

Automatic coating machine



Coating carriage with parameter setting



Frame support with shifting stop piece

Particular features

- The „PLUG & COAT“ technology allows:
Unpack, set up, coat
- The unique construction based on a central carriage guide system allows achieving a top quality at an extremely low price.
- Automatic coating process from one side.
- Coating from the printing side or from the squeegee side.
- Safe reproducibility of the coating result guaranteed for the direct wet-on-wet coating as well as for the additional coating process (tolerance +/- 1 micron).
- The relevant coating parameters, such as the number of coating cycles, the waiting time and the coating speed, can be adjusted on the carriage plate.
- Single size appliance for a maximum frame size of up to W1250 x H1500 mm (50"x59").
- On the carriage plate, the frame profile height can be adjusted in function of the respective frame size.
- The mesh contact pressure of the coating trough and its application onto the mesh is carried out by means of high-precision DC-motors.
- Extremely silent operation of the coating carriage thanks to the use of special guide profiles and a toothed belt drive unit.
- Mechanical frame support with patented shifting stop piece for the printing or squeegee side.
- The height of the mechanical frame support can be adjusted easily and without problems to the respective frame size.
- Extremely low maintenance model:
- toothed belt drive unit
- all the drive units using DC-motors
- no pneumatic elements

Coating Program

- The coating speed (between 90 and 270 cm/min.), The number of coating cycles (between 1 and 5 cycles) as well as the waiting time (between 0 and 10 seconds) can be adjusted on the coating carriage.

Option K1

- Reception unit for small screen formats

Option K2

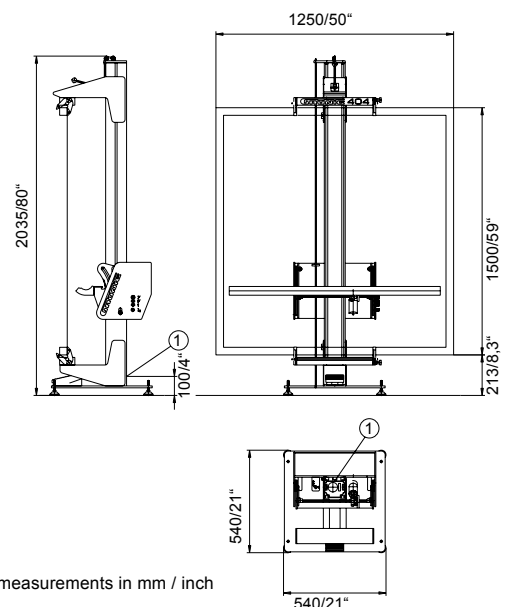
- Reception unit for small screen profiles

Option K3

- Reception unit for CD screens



Screen frame size	Screen frame width OD	mm/inch	1250 / 50"
	Screen frame height OD	mm/inch	1500 / 59"
	Frame profile height	mm/inch	30-100 / 1,2-4"
	Frame profile thickness	mm/inch	20-50 / 0,8-2"
Index of options	K1, K2, K3		
Overall size	Total width	mm/inch	540 / 21"
	Total height	mm/inch	2035 / 80"
	Total depth	mm/inch	540 / 21"
Energy supply	Nominal voltage	V	1 x 230+N+PE
		V	1 x 110+N+PE
	Fuse protection	A	1
	Capacity	kW	0.2
	Frequency	Hz	50/60
Permanent sound-pressure level	dB (A)	< 70	



All measurements in mm / inch



The machine answers the requirements of the EU guidelines for machinery

Technical data subject to change without notice

Mai 05