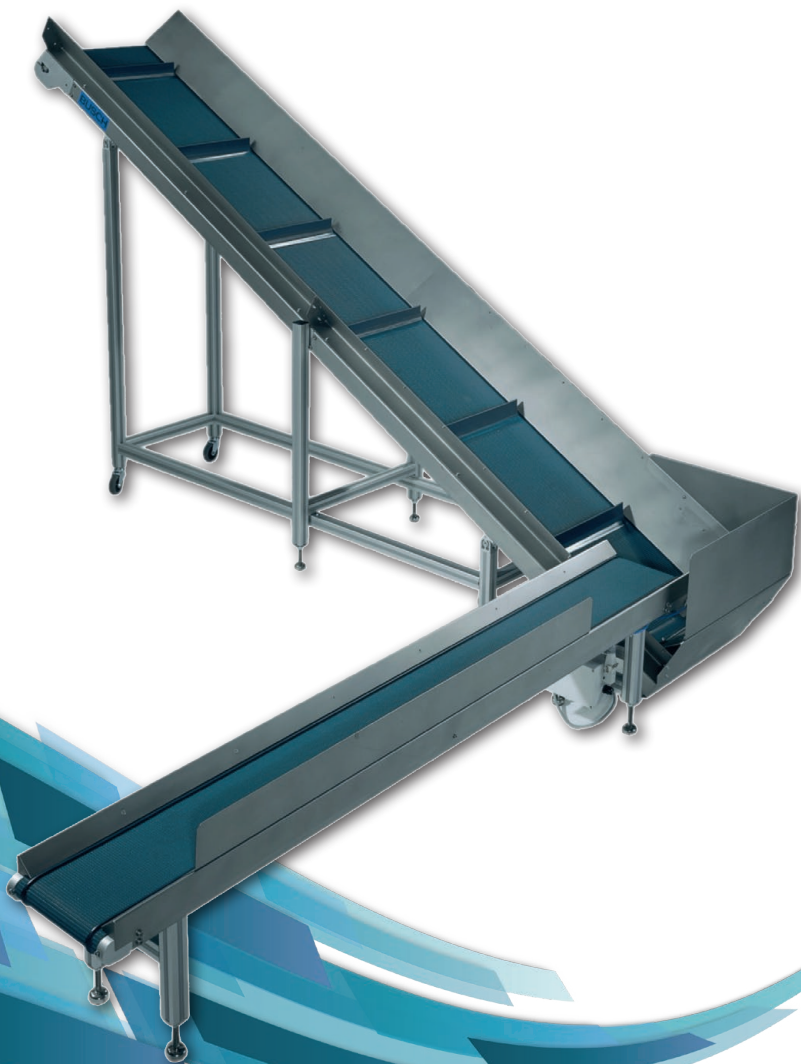


# WASTE CONVEYORS

## model series SF / SF-ASE

Professional cutting waste disposal into containers  
for cutting machines with automatic waste disposal

- » tailor-made for all well-known guillotines
- » high-quality rustproof steel frame construction with lateral waste guidance
- » rotating conveyor belt made of elastic plastic material (PUR) with transport studs
- » essential, cost-saving, quick and clean



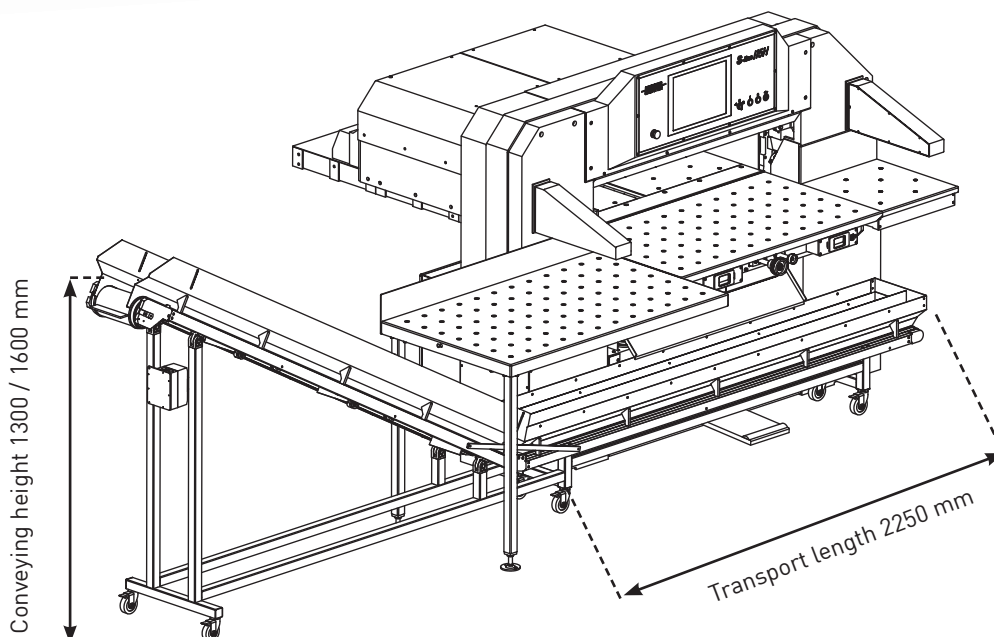


## The one-piece model series for smaller quantities of waste

- » automatic waste disposal with a single BUSCH Waste Conveyor which is placed underneath the waste chute of the guillotine front table
- » installation for waste disposal to the left or right side
- » available in conveying heights 130 cm and 160 cm for waste containers with the correspondent maximal height
- » optional supporting plate to increase the quantity of waste to be conveyed in the ascending area (also retrofittable)



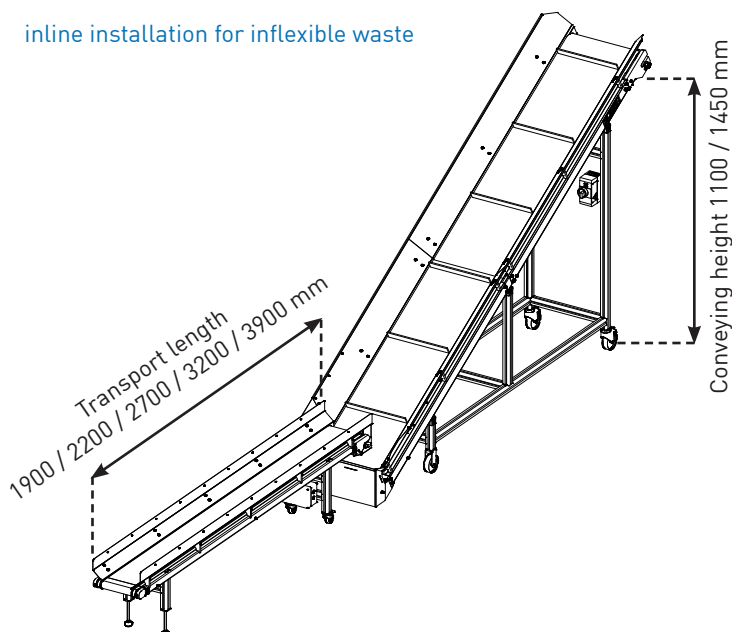
Option: supporting plate



## The two-piece model series for small and large quantities of waste

- » automatic waste disposal with a BUSCH Waste Conveyor system which is placed underneath the waste chute of the guillotine front table
- » installation for waste disposal to the left or right with inline transport or 90°-deflection to the front or rear side of the guillotine
- » inline installation advisable for paper weights over approx. 135 g/m<sup>2</sup>
- » 90°-deflection is recommended for flexible paper waste (max. paper weight approx. 135 g/m<sup>2</sup>)

inline installation for inflexible waste



HF 00/25-220

SF 110/50 ASE

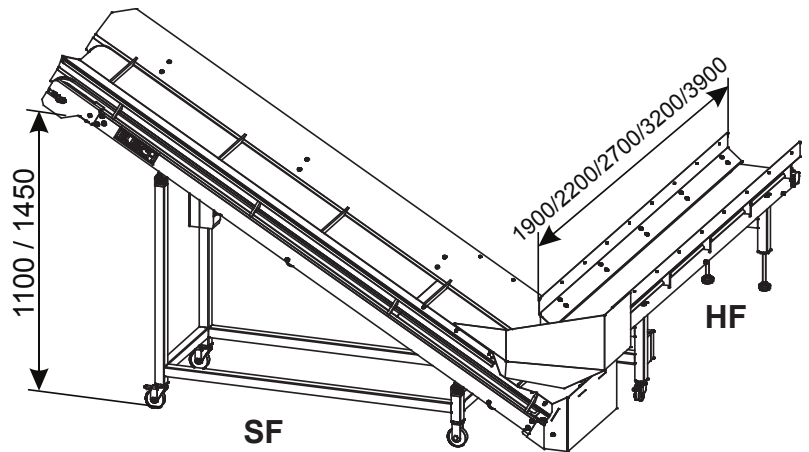
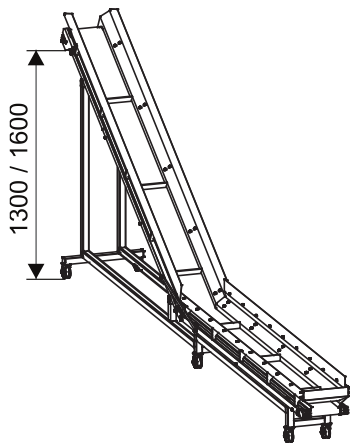
90°-deflection to the rear side of the guillotine



# WASTE CONVEYORS

model series SF and SF-ASE

| Technical data                         |     | SF<br>130/25<br>-225 | SF<br>160/25<br>-225 | SF<br>110/50<br>ASE | SF<br>145/50<br>ASE | HF<br>00/25<br>-190 | HF<br>00/25<br>-220 | HF<br>00/25<br>-270 | HF<br>00/25<br>-320 | HF<br>00/25<br>-390 |
|--|-----|----------------------|----------------------|---------------------|---------------------|---------------------|---------------------|---------------------|---------------------|---------------------|
| Conveying height                       | mm  | 1300                 | 1600                 | 1100                | 1450                | -                   | -                   | -                   | -                   | -                   |
| Length of delivery chute               | mm  | 2250                 | 2250                 | -                   | -                   | 1900                | 2200                | 2700                | 3200                | 3900                |
| <b>Conveying speed</b>                 |     |                      |                      |                     |                     |                     |                     |                     |                     |                     |
| at 50 Hz                               | m/s | 0,4                  | 0,4                  | 0,4                 | 0,4                 | 0,3                 | 0,3                 | 0,3                 | 0,3                 | 0,3                 |
| Power requirements:<br>3-phase current | kW  | 0,25                 | 0,25                 | 0,25                | 0,25                | 0,1                 | 0,1                 | 0,1                 | 0,1                 | 0,1                 |
| Power consumption<br>230 V / 400 V     | A   | 1,0                  | 1,0                  | 1,0                 | 1,0                 | 0,25                | 0,25                | 0,25                | 0,25                | 0,25                |
| <b>Measurements and weights</b>        |     |                      |                      |                     |                     |                     |                     |                     |                     |                     |
| Length                                 | mm  | 4235                 | 4745                 | 2365                | 2990                | 2110                | 2420                | 2940                | 3450                | 4080                |
| Height                                 | mm  | 1665                 | 1960                 | 1440                | 1815                | 490                 | 490                 | 490                 | 490                 | 500                 |
| Width                                  | mm  | 520                  | 520                  | 645                 | 645                 | 325                 | 325                 | 325                 | 330                 | 335                 |
| Net weight                             | kg  | 107                  | 123                  | 80                  | 127                 | 45                  | 49                  | 56                  | 67                  | 79                  |



Gerhard Busch GmbH

Brookdamm 28 | D-21217 Seevetal | Germany  
 Tel. +49 (0)40 769159-0 | Fax +49 (0)40 769159-33  
 info@buschgraph.de | www.buschgraph.de

**Stanzmaschinen** Die-Cutting Machines  
**Bündelmaschinen** Banding Machines  
**Späneförderbänder** Waste Conveyors  
**Stapelwender** Pile Turners  
**Schneidemaschinen** Guillotines  
**Schneidperipherie** Peripherals for Guillotines